

Technical Specifications: Satellite™ Series LED Roadway Luminaire SAT-24S (24 LEDs)

Electrical

Available Driver Currents	280mA	350mA	450mA	525mA	600mA
Power Consumption*	22W	28W	36W	44W	50W

Input Voltage: Universal Driver 120 to 240 VAC, 50Hz or 60Hz; 277V, 347V, 480V, and 12-24V DC drivers available upon request.

Fixture

Weight	8.2 kg	18 lb
Width (maximum)	382 mm	15.0 in
Length (maximum)	411 mm	16.2 in
Height (maximum)	167 mm	6.57 in
EPA	< 0.047m ²	< 0.509 sq ft ²

Cover Lens	Acrylic
Housing	Single piece, die-cast aluminum
Mounting	1.625" to 2.375" / 42 to 60 mm OD tenons

Finish

Standard	Unfinished Aluminum
Optional	Specific colors with powder coated finish available upon request.

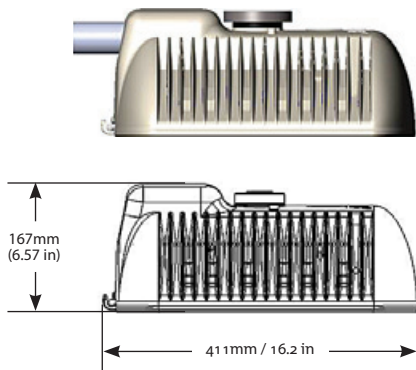


Figure 1 – Luminaire side profile***

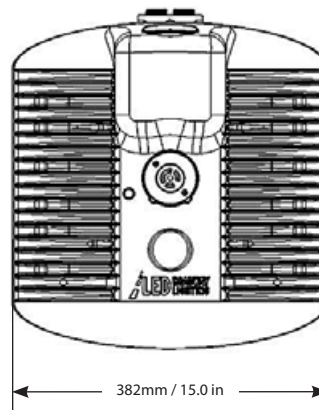


Figure 2 – Luminaire top***

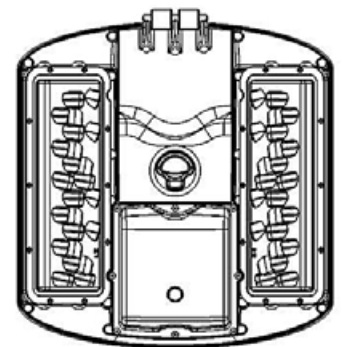


Figure 3 – Luminaire bottom***

Performance / Photometrics

Available Driver Currents	280mA	350mA	450mA	525mA	600mA
Fixture Efficacy (Type II)*	86 Lm/W	84 Lm/W	81 Lm/W	77 Lm/W	72 Lm/W
Fixture Output (Type II)*	1,900 Lm	2,350 Lm	2,900 Lm	3,400 Lm	3,600 Lm
Telcordia MTBF (in Millions)**	3.3 hrs	2.9 hrs	2.5 hrs	2.2 hrs	2.1 hrs

LED L70 @ 350mA	>100,000 hours
Distribution	IES Type II, IES Type III, European wide, European narrow
Color Temperature (CCT)	Standard 5,000 K <i>Other colors available upon request</i>
Color Rendering Index (CRI) at 70 (+/-5%)	

Operating Conditions

Temperature (ambient)	-40°C to +60°C	-40°F to +140°F
-----------------------	----------------	-----------------

Photocell Options

Photocell Receptacle with shorting cap
Photocell – 20 yr design life option available
No Photocell Receptacle - solid casting

* Values shown are average values and are subject to +/-5% tolerance

** Power supply MTBF values are based on independent laboratory analysis using Telcordia SR-332. Values shown are in millions of hours.

*** SAT-48S illustrated